



FWFO.EWS0005 - EXTERIOR WALL SYSTEMS

FWFO - Exterior Wall Systems

See General Information for Exterior Wall Systems

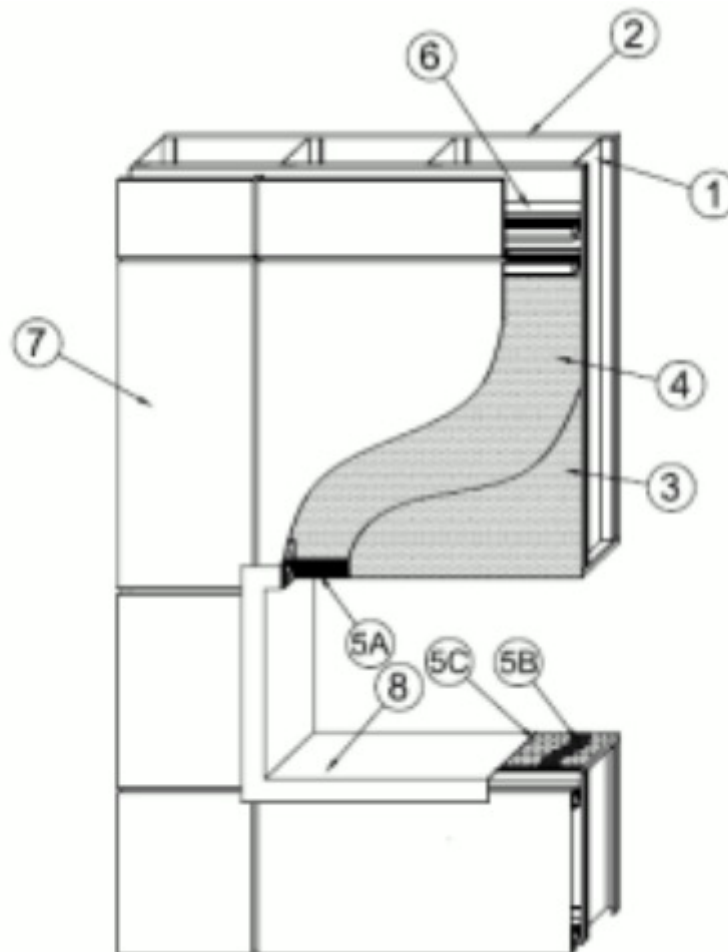
System No. EWS0005

April 16, 2019

ASTM E2357 - 0.0062 cfm/ft² (0.032 l/s·m²) @ 75 Pa (1.57 psf) - Category 1

ASTM E331 - 45 min. @ 300 Pa (6.27 psf)

Exterior Wall System



1. **Steel Studs** — Min 3-5/8 in. (92 mm) deep, formed of min 16 ga. galv steel spaced max 16 in. (406 mm) OC. Additional studs to be used to completely frame window openings.

2. **Interior Gypsum Board (BWFR)*** — Min 5/8 in. (16 mm) thick, 4 ft (1.2 m) wide, attached to steel studs with 1 in. (25 mm) long, Type S steel screws spaced max 8 in. (203 mm) OC. Joints oriented vertically and covered with paper tape and joint compound. Screw heads covered with joint compound.

UNITED STATES GYPSUM CO — Type SCX

2A. **Interior Wall System Component** — Sealant (Optional - Not Shown) — Sealant may be applied to the interior gypsum board at areas and gaps of air leakage, such as penetrations and transitions. Not to exceed individual openings no greater than 5/8 in. (16 mm) diameter, and seam / joint openings no greater than 5/8 in. (16 mm) across.

AEROSEAL LLC — Aerobarrier X1

3. Exterior Gypsum Sheathing (BWFR)* — Exterior-grade glass mat sheathing gypsum board, minimum 5/8 in. (16 mm) thick, attached to steel studs with 1 in. (25 mm) long, Type S steel screws spaced max 8 in. (203 mm) OC. Joints oriented vertically or horizontally. Additional sheathing to be used to line framed window openings.

UNITED STATES GYPSUM CO — Type USGX

3A. Exterior Wall System Component — Sealant* — (Not Shown) — Sealant applied to all exterior sheathing joints prior to application of air barrier sealant (Item 4).

TREMCO INC — Tremflex 834 or Dymonic 100

4. Exterior Wall System Component — Combustible Air Barrier Sealant* — Applied to completely cover the gypsum sheathing at a min thickness of 35 mil (0.9 mm) dry, 70 mil (1.8 mm) wet thickness.

TREMCO INC — ExoAir 230

5. Window Flashing Materials — (Optional) — The following items may be used as window flashing materials:

A. Exterior Wall System Component — Window Flashing Material* — Nom 6 in. (152 mm) wide extruded silicone rubber flashing attached to gypsum sheathing with sealant (Item 5D) to completely frame window opening.

TREMCO INC — Proglaze ETA

B. Fiberglass Mesh — Nom 0.012 in. (0.3 mm) thick open-weave glass-reinforcing fabric embedded within the air barrier sealant (Item 5C).

TREMCO INC — 2011 Mesh

C. Exterior Wall System Component — Combustible Air Barrier Sealant* — Applied to completely cover sheathing lining the window opening in conjunction with a nom 0.012 in. (0.3 mm) thick open-weave glass-reinforcing fabric embedded within the sealant.

TREMCO INC — ExoAir 230

D. Exterior Wall System Component — Sealant* — (Not Shown) — Sealant applied to all edges of window flashing material to adhere flashing to gypsum sheathing.

TREMCO INC — Spectrem 1

6. Mounting System — Extruded aluminum mounting system secured to studs with min 5/16 in. (8 mm) diam self-tapping steel screws spaced max 16 in. (406 mm) OC. Installed horizontally and located at the top and bottom of each exterior panel (Item 9) for securement of exterior panels.

NOW SPECIALTIES INC — NOW 4200 Route and Return Dry System

7. **Exterior Panels** — Nom 36 in. (914 mm) wide by 1 in. (25 mm) deep, 0.157 in. (4 mm) thick aluminum composite material panel system secured to mounting system in accordance with the mounting system manufacturer's installation instructions.

ALCOA INC — Reynobond FR

7A. **Exterior Panels (FWFX)*** — (As an alternate to Item 7) — Nom 36 in. (914 mm) wide by 1 in. (25 mm) deep, 0.157 in. (4 mm) thick aluminum composite material panel system secured to mounting system in accordance with the mounting system manufacturer's installation instructions.

3A COMPOSITES USA INC — Alucobond Plus

8. **Steel Flashing** — Formed of min 22 ga. steel. Formed to completely line window opening and overlap onto both surfaces of the wall assembly a min 1/2 in. (13 mm).

9. **Mineral Wool** — (Not Shown) — Nom 4 pcf (64 kg/m³), 4 in. (102 mm) minimum thickness of mineral batt insulation installed within each wall stud cavity at each floor line held in place with any standard installation method.

*** Indicates such products shall bear the UL or cUL Certification Mark for jurisdictions employing the UL or cUL Certification (such as Canada), respectively.**

Last Updated on 2019-04-16

The appearance of a company's name or product in this database does not in itself assure that products so identified have been manufactured under UL's Follow-Up Service. Only those products bearing the UL Mark should be considered to be Certified and covered under UL's Follow-Up Service. Always look for the Mark on the product.

UL permits the reproduction of the material contained in the Online Certification Directory subject to the following conditions: 1. The Guide Information, Assemblies, Constructions, Designs, Systems, and/or Certifications (files) must be presented in their entirety and in a non-misleading manner, without any manipulation of the data (or drawings). 2. The statement "Reprinted from the Online Certifications Directory with permission from UL" must appear adjacent to the extracted material. In addition, the reprinted material must include a copyright notice in the following format: "© 2019 UL LLC"